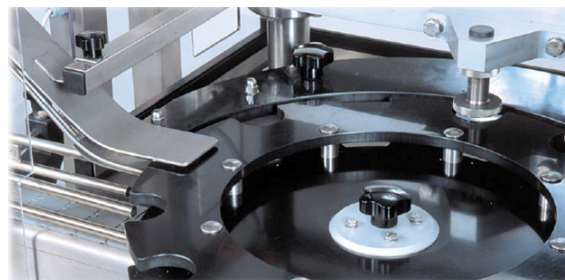




Cap Press-on Machine Automatic sorting of caps





CAP PRESS-ON MACHINE

Fully automatic cap press-on machine for most common caps. The caps are sorted and, in a gentle way, led through a cap chute into our special 3-part mill, which places the caps correctly before the press-on.

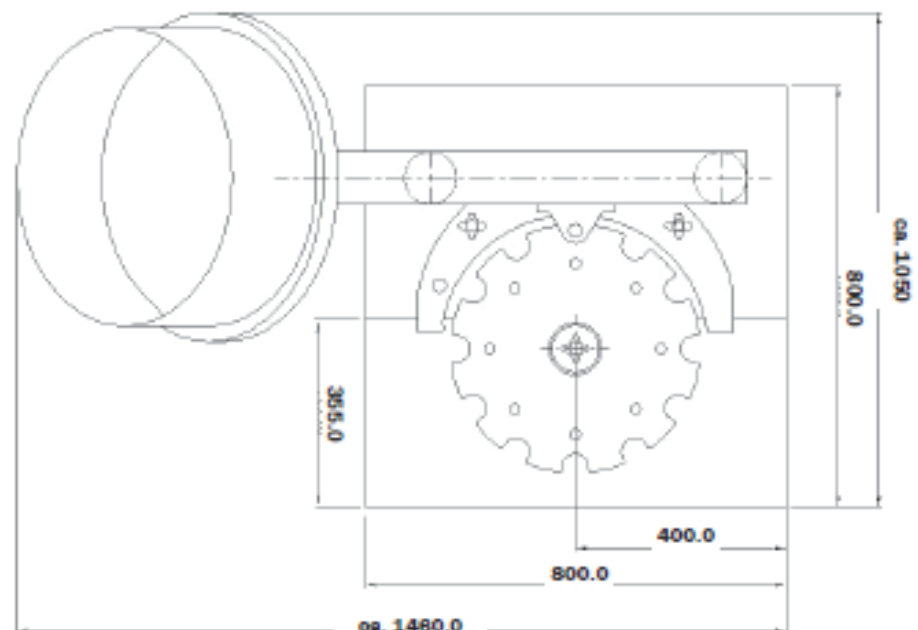
Features

- Automatic outlet and pressing-on of cap on container
- Machine rack in stainless steel, solid construction in square tubes and covered in grinded stainless plates
- Cap sorter with cap chute placed above the machine
- Electric height adjustment with automatic setting for container height
- 12-pocket index wheel for quick and precise centering during container shift
- Control panel in front of the machine
- Safety cover with opening doors and an approved safety switch
- Max. capacity approx. 75 per/min.
- Electrical connection: 400 V 50 Hz, +0 + earth
- Air connection: 8 bar
- Weight approx. 325 kg

Extras

- Conveyor
- Cap control with reject
- CapMaster P-2 for capacity up to max. 120 per min.
- Cap elevator

LAYOUT



PMW ENGINEERING A/S develops and manufactures equipment for container handling including cap handling, cap screwing and special filling.